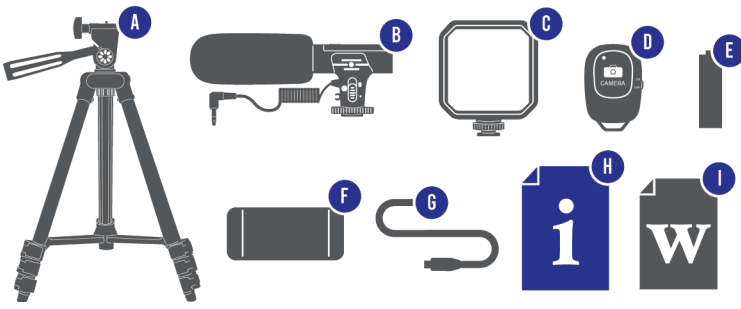


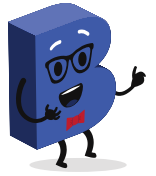
1 Have you got everything?



A. Foldable Tripod
B. Condenser Microphone
C. LED Video Light

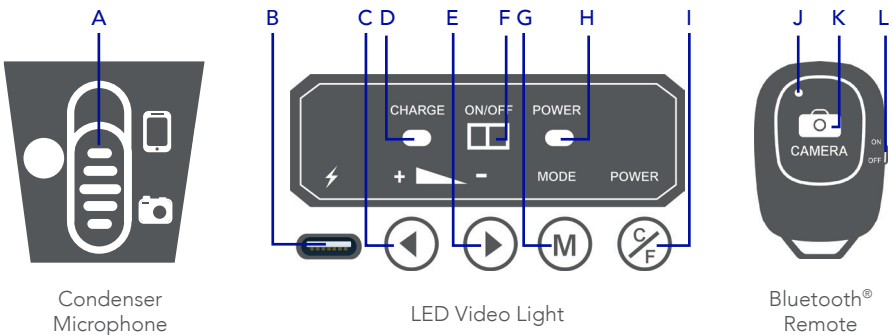
D. Bluetooth® Remote
E. AAA Activ Energy Battery
F. Phone Holder

G. USB-C Charging Cable
H. User Guide
I. Warranty Certificate



Control and Buttons

2



Condenser
Microphone

LED Video Light

Bluetooth®
Remote

A. Switch between phone/camera mode
B. USB-C charging port
C. ◀ Button: increase brightness
D. Charging LED Indicator
E. ▶ Button: decrease brightness
F. On/Off Switch: slide to switch the LED video light unit on/off

G. Mode Button: change brightness setting
H. Power LED Indicator
I. Power Button: press to turn the light on/off
J. LED Light Indicator
K. Capture Button
L. On/Off Switch: slide to turn the remote on/off

3 Operation

Setting Up

- Set up the tripod to the desired height using the adjustment locks.
- Screw the phone holder onto the tripod as illustrated, ensuring it is securely screwed in.
- Extend the phone holder and slide your phone in. The phone holder will automatically lock and hold your phone in place.
- Slide the condenser microphone into the LED video light to securely lock it in place.
- Once the condenser microphone and LED video light are connected, slide it onto the phone holder as illustrated, ensuring it is securely locked in.
- Use the handle on the tripod to adjust the angle of your photo/video.

Using The Condenser Microphone

- Connect the condenser microphone's 3.5mm audio cable to your phone's earphone port.
- Slide to switch up for phone mode. Slide the switch down for camera mode (your camera must support the 3.5mm MIC input).
- Note: you will need to buy a lighting to 3.5mm adaptor for iOS smart phones that do not have an earphone port.

Using The LED Video Light

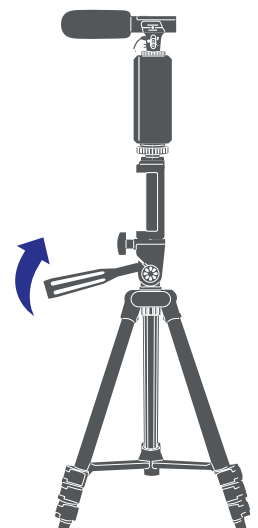
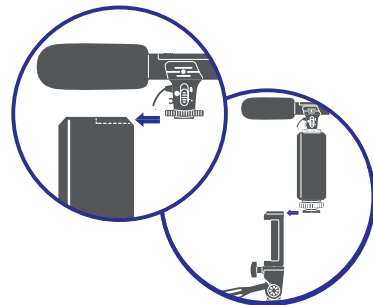
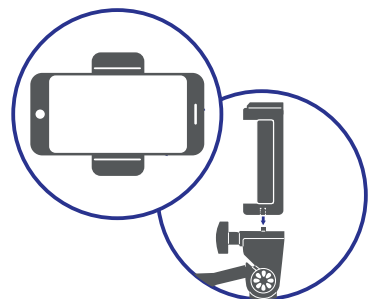
- Slide the On/Off switch to On to turn the LED video light unit on. The power LED indicator will light up blue.
- Press the Power button to turn the light on/off. The power LED indicator will turn off once the video light is on. Press again to turn off the light and the power LED indicator will light up blue again.
- Use the ◀/▶ buttons to adjust the brightness level.
- Press the Mode button to change brightness settings.
- Slide the On/Off switch to Off to turn the LED video light unit off. The power LED indicator will also turn off.

Using The Remote

- Slide the On/Off switch to turn the remote on until the LED indicator starts flashing.
- Turn on your phone's Bluetooth® and select "SelfieCom" from the list of found devices. Once connected, the LED indicator will stop flashing. (The remote will automatically turn off after 5 minutes if not paired).
- Press the capture button to remotely take a picture.
- Slide the On/Off switch again to turn the remote off.

Charging

- **LED Video Light:** Connect the supplied USB-C charging cable to the USB-C port on the LED video light. The charging LED indicator will light up red. Once fully charged, the charging LED indicator will light up green.
- **Remote:** Connect the supplied USB-C charging cable to the USB-C port on the remote. The charging LED indicator will light up red. Once fully charged, the charging LED indicator will turn off.





Remote is not working

- Check that the smart phone is paired with the remote.
- For Android devices, go to your camera settings and set your volume key as the capture function.
- The remote control will automatically power off after 10 minutes of inactivity. Press and hold the capture button to turn the remote on again.
- Charge the remote using the supplied USB-C cable for 2 hours.

Condenser Microphone not working

- Check that the switch is on the appropriate mode (phone/camera).
- Check whether your smart phone/camera supports the microphone power. Insert the supplied AAA battery inside the Microphone battery slot if your smart phone/camera does not support.
- For iOS smart phones that do not have earphones, you will need a lightning to 3.5mm adaptor (not included).

LED video light not working

- Charge the LED video light using the supplied USB-C cable for 4 hours.
- Slide the On/Off switch to On to turn the power on.
- Press the Power button to turn the video light on.

Specifications

LED Video Light

Input	5V, 1A
Battery	Li-ion 3.7V, 2000mAh
Dimensions	88 x 75 x 30 mm
Weight	102g

Remote

Input	5V, 0.5A
Battery	Li-polymer 3.7V, 55mAh

Tripod Stand

Height	102cm (approx.)
Weight	325g (approx.)

Condenser Microphone

Dimensions	135 x 53 x 35 mm
Weight	40g

Give us a call



What? You mean this User Guide didn't have ALL the answers? Speak to us! We'd love to help you get up and running as quickly as possible. Call our **After Sales Support** on **1300 002 534**.
Operating hours: Monday-Friday, 8:30am-6pm; Saturday, 9am-6pm AEST

General Safety Warnings

For the safety of yourself and others, follow all instructions and take notice of all the warnings. When adhered to, these safety precautions can reduce the risk of fire, electric shock and injury.

This product complies with Australian Safety standard AS/NZS 62368.1 to ensure the safety of the product.



The RCM is a visible indication of a product's compliance with all applicable ACMA regulatory arrangements, including all technical and record-keeping requirements.

IMPORTANT

Plastic wrapping can be a suffocation hazard for babies and young children, so ensure all packaging materials are out of their reach.

To prevent environmental factors (dampness, dust, food, liquid etc.) harming the power bank, only use it in a well-ventilated, clean and dry environment, away from excessive heat or moisture.

Keep the product away from direct sunlight or heat sources.

In case of damage, do not disassemble, repair or modify the product yourself. Contact After Sales Support for advice on repair or replacement, or refer servicing to qualified personnel only.

Children should be supervised to ensure they do not play with the product.

Do not put any object on top of the product.

Do not place or store appliance where it can fall or be pulled into a bath or sink.

This product is not intended for use by persons (including children) with reduced physical, sensory or mental capabilities, or lack of experience and knowledge, unless they have been given supervision or instruction concerning use of the product by a person responsible for their safety.

Do not expose the product to microwaves.

Clean using a dry cloth only.

Do not use water or chemicals.

Keep the product away from oils, chemicals or any other organic liquids.

Use this appliance only for its intended purpose as described in this guide.

Responsible disposal of the packaging

The packaging of your product has been selected from environmentally friendly materials and can usually be recycled. Please ensure these are disposed of correctly. Plastic wrapping can be a suffocation hazard for babies and young children, please ensure all packaging materials are out of reach and are safely disposed of. Please recycle these materials rather than throwing them away.

Responsible disposal of the product

At the end of its working life, do not throw this product out with your household rubbish. An environmentally friendly method of disposal will ensure that valuable raw materials can be recycled. Electrical and electronic items contain materials and substances which, if handled or disposed of incorrectly, could potentially be hazardous to the environment and human health.

Enjoy using your product!

Well done, you made it. Now sit back and relax... your product is automatically covered by a 1-year warranty. How nice!

