

BAUHN[®]
EFFORTLESS TECHNOLOGY

connected 



Smart Powerboard

User Guide



AFTER SALES SUPPORT

  1300 886 649

 info@tempo.org

Model: ASPBU-1019 Product Code: 12741 10/2019

Welcome

Congratulations on choosing to buy a BAUHN® product.

All products brought to you by BAUHN® are manufactured to the highest standards of performance and safety and, as part of our philosophy of customer service and satisfaction, are backed by our comprehensive 1 Year Warranty.

We hope you will enjoy using your purchase for many years to come.



Contents

Welcome	2
General Safety Instructions	4
Product Overview	6
Installation and Setup	7
Troubleshooting	14
Specifications	15
Warranty Information	16
Repair and Refurbished Goods or Parts Notice	17

General Safety Instructions

Read this user guide thoroughly before first use. These safety precautions reduce the risk of fire, electric shock and injury when correctly adhered to.

This product complies with Australian Safety standard AS/NZS 60950 to ensure the safety of the product.



The RCM is a visible indication of a product's compliance with all applicable ACMA regulatory arrangements, including all technical and record-keeping requirements.

- **The total connected load of all devices is not to exceed the load rating.**
- Protect from moisture: Do not immerse the product in water or other liquid, or expose the electrical connections to water. Do not touch the plug with wet hands.
- Damage: If the product is damaged, contact the After Sales Support line for advice. Do not attempt to open any part.
- Domestic indoor use: This plug is designed for indoor use in dry places only.
- Before installing the unit, make sure to place it AWAY from:
Heat sources, radiators or other products that produce heat.
Areas with high temperatures, high humidity or direct sunlight.
Excess dirt and dust.
Open windows and any place where water may get to the unit.
- Disconnect: Unplug the product when it is not going to be used.
- The MAINS plug or an appliance coupler is used as the disconnect device, the disconnect device shall remain readily operable.
- Usage restriction: The product is not intended for use by persons (including children) with reduced physical, sensory or mental capabilities, or lack of



General Safety Instructions (Cont.)

experience and knowledge, unless they have been given supervision or instruction concerning use of the equipment by a person responsible for their safety.

- Children: Young children should be supervised to ensure they do not play with the equipment. Close supervision is always necessary when any electrical equipment is used by or near children.
- When the product is not in use, disconnect it from the power source and store in a cool, dry and well ventilated location out of direct sunlight. Ensure that it is not subject to humidity.
- Repair: If the unit requires repair, contact the After Sales Support line; never disassemble or modify the unit or attempt to service it yourself.
- Liability: We accept no liability for any damage caused by non-compliance with these instructions or mishandling of the equipment.

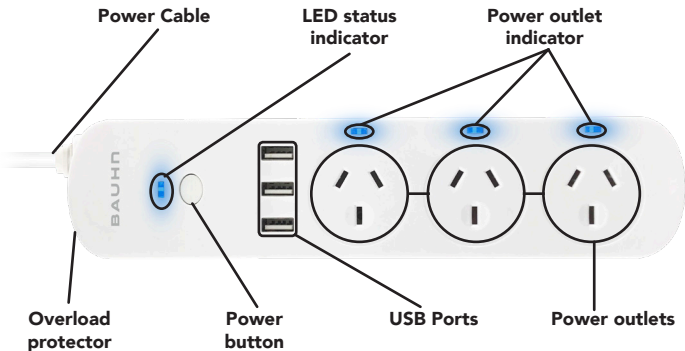
Responsible disposal of the packaging

The packaging of your product has been selected from environmentally friendly materials and can usually be recycled. Please ensure these are disposed of correctly. Plastic wrapping can be a suffocation hazard for babies and young children, please ensure all packaging materials are out of reach and are safely disposed of. Please ensure they are offered for recycling rather than throwing these materials away.

Responsible disposal of the product

At the end of its working life, do not throw this product out with your household rubbish. An environmentally friendly method of disposal will ensure that valuable raw materials can be recycled. Contact your local authority for your nearest recycling centre. Electrical and electronic items contain materials and substances which, if handled or disposed of incorrectly, could potentially be hazardous to the environment and human health.

Product Overview



Note: The USB ports are not controlled by the power button, and will be always on.

Installation And Setup

Download App

Search and download 'TuyaSmart' from the App Store or Google Play. Alternatively you can scan the QR code below to download the App.



iOS App Store



Google Play Store

Login/Access

The first time you use the TuyaSmart app, you need to register a Tuya account using your email address.

1. Click 'Register' to go to the Smart Life privacy policy page. Click 'Agree' to proceed to the registration page.
2. The system will automatically identify the country/region you are in, or you can choose to manually select a country/region. Enter your mobile phone number or email address and click 'Get authentication code'.
3. Enter the authentication code you received. Then enter the password and click 'Completed' to complete registration.

Installation And Setup (Cont.)

Adding Devices

1. Click 'Add Device' or '+' at the top-right corner of the App homepage to enter the Add Device page.
2. In the Electrical Engineering tab, select 'Socket'.
3. Plug in the Smart Plug to an AC socket, then press and hold the power button until the indicator light flashes rapidly. Follow the on-screen instructions to connect the device to your Wi-Fi network.
4. The app will start to connect to the Smart Plug automatically - this may take up to a few minutes. Click Help for additional instructions if you are unable to connect to the device.
5. Once connected, you can name the device and assign it to a specific room.

Note:

The first time you press and hold the power button for about 5 seconds, the LED will flash rapidly (flash twice per second). This is the normal connection mode.

If the connection is failed by using normal mode, please use the AP mode to connect:

1. While the LED is rapidly flashing, press and hold the power button for 5 seconds. The LED will turn off then start to flash every 2 to 3 seconds. This indicates the Smart Plug is in AP mode.
2. Open the TuyaSmart app on your smart device and tap on the "+" icon on the top right corner of your screen. Select "Electrical Engineering" and tap on the "Socket" icon.

Installation And Setup (Cont.)

3. Tap on the "AP Mode" on the top right then tap on the "Confirm indicator slowly blink" button.
4. Select your Wi-Fi network and enter your Wi-Fi networks password. Press "Go to Connect" button where the Wi-Fi settings page of your smart device.
5. In the Wi-Fi setting page of your smart device, select "BAUHN Smart Plug-xxxx" to connect to it. Return to the TuyaSmart app and follow the on-screen instructions.

Account ID + Password Login

If you already have an app account, click 'Log in with existing account' to proceed to the login page.

1. The system will identify automatically the country/region you are in, or you may also choose to select manually a country/region.
2. Enter the mobile phone number or email you have registered and enter the password in to log in.

Forgot password

If you forgot your app password, you can reset your password by following the Password Retrieval procedure.

Installation And Setup (Cont.)

Sharing a Device

You can share access to your device with family members, if they have a TuyaSmart account.

To share access, click the edit icon on the top-right corner on the control screen, then select 'Share Device' > 'Add Sharing' and enter the user's account. That account will also be able to control the Smart Plug from their smart phone or Google/Alexa devices.

Connecting to Google Home

1. On your mobile device, open the Google Home app.
2. On the home screen, tap 'Settings' (or in the User screen, select 'Settings').
3. Scroll down and tap on 'More settings', then select the 'Assistant' tab.
4. Tap on 'Home control', then tap on the '+' icon. Tap on the search icon and enter 'Tuya Smart'. Tap on the Tuya Smart icon and enter your Tuya account.
5. In the link page, there will be 3 apps in the list. Select 'TuyaSmart', tap 'Link Now', then tap on 'Authorise'. Follow the instructions to assign the Smart Plug to a room. You can now control the Smart Plug via Google Home.

Installation And Setup (Cont.)

Connecting to Alexa

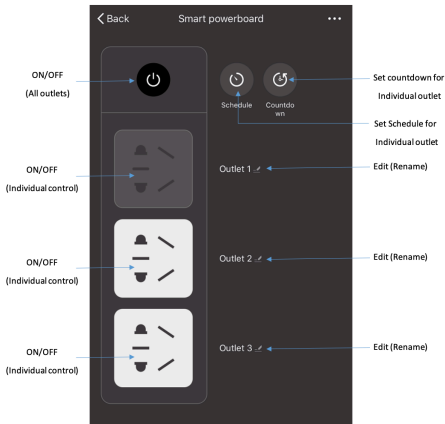
1. In your Amazon Alexa app, log in to your Amazon account.
2. Select the 'Devices' page, then tap on "YOUR SMART HOME SKILLS", then tap on "ENABLE SMART HOME SKILLS" button and search for "Tuya Smart." In the Tuya Smart page, tap on "ENABLE TO USE" and follow the instruction to link your Tuya account.
3. After you have linked your Tuya account to Alexa, the Smart Powerboard will be in the device list. As the power board has individual outlet controls, there will be one overall control and 3 separate outlet controls. You will then see the Smart Plug on the Alexa screen and have the ability to control it using Alexa.

Note: Operation for Google Home and Alexa apps may change, please follow the App instructions.

Installation And Setup (Cont.)

Smart features: Automation and Scheduling

- You can name the 3 outlets and control them individually (default names for the outlets are Outlet 1, Outlet 2 and Outlet 3.) You can also control them as a whole (default name for the overall control is Smart Powerboard.)
- Select the ⌚ Timer icon to turn Scheduling on/off.
- Select the ⌚ Countdown icon to set a timer for turning off.



Installation And Setup (Cont.)

Reset the Powerboard

This Smart Poweboard has overload protection built-in. When the total load of the outlets exceeds the maximum rated load, the Smart Powerboard will safely cut power for all 3 outlets. In this case, you will need to reset the Powerboard. Press the reset button on the overload protector to reset.

Troubleshooting

Problem	Solution
The plug is not pairing/ connecting with my device	<ul style="list-style-type: none">• Check the device is switched on.• Your phone needs to be connected to a 2.4G Wi-Fi network, so you may need to turn off 5G on the router.• Make sure the Wi-Fi network is connected to the internet.• Unplug the device for 20 seconds, then plug it back in. Press and hold the button for 5 seconds to reset the device.
The connected device is not responding	Unplug the device for 20 seconds, then plug it back in. Press and hold the button for 5 seconds to reset the device.

Specifications

Power input	AC 240V, 50Hz, 10A
USB output	DC 5V, Total 3.1A Max.
Total outlet load	Max 2400W

Version	1.0
Date	10/2019

Warranty Information

The product is guaranteed to be free from defects in workmanship and parts for a period of 12 months from the date of purchase. Defects that occur within this warranty period, under normal use and care, will be repaired, replaced or refunded at our discretion, solely at our option with no charge for parts and labour. The benefits conferred by this warranty are in addition to all rights and remedies in respect of the product that the consumer has under the Competition and Consumer Act 2010 and similar state and territory laws.

Our goods come with guarantees that cannot be excluded under the Australian Consumer Law. You are entitled to a replacement or refund for a major failure and to compensation for any other reasonably foreseeable loss or damage. You are also entitled to have the goods repaired or replaced if the goods fail to be of acceptable quality and the failure does not amount to a major failure.



Repair and Refurbished Goods or Parts Notice

Unfortunately, sometimes faulty products are manufactured, which need to be returned to the supplier for repair.

Please be aware that if your product is capable of retaining user-generated data (such as files stored on a computer hard drive, telephone numbers stored on a mobile telephone, songs stored on a portable media player, games saved on a games console or files stored on a USB memory stick) during the process of repair, some or all of your stored data may be lost. We recommend you save this data elsewhere prior to sending the product for repair.

You should also be aware that rather than repairing goods, we may replace them with refurbished goods of the same type or use refurbished parts in the repair process.

Please be assured though, refurbished parts or replacements are only used where they meet ALDI's stringent quality specifications.

If at any time you feel your repair is being handled unsatisfactorily, you may escalate your complaint. Please telephone us on 1300 886 649 or write to us at:

Tempo (Aust) Pty Ltd ABN 70 106 100 252
PO Box 6056, Frenchs Forest, NSW 2086, Australia
Telephone: 1300 886 649 (Aust) - Fax: (02) 9975 2688
Tempo Help Desk: 1300 886 649 (Aust)
(Operating Hours: Mon-Fri 8:30am-6pm; Sat 9am-6pm EST)
Email: info@tempo.org

Notes

Notes



Warranty returns

Should you for any reason need to return this product for a warranty claim, make sure to include all accessories with the product.

Product does not work?

If you encounter problems with this product, or if it fails to perform to your expectations, please contact our After Sales Support Centre on 1300 886 649.